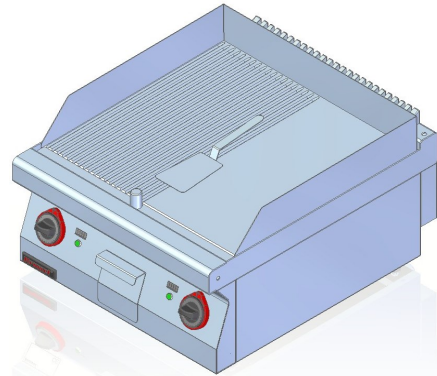


<b>Model:</b>	<b>700.PBE-600GR</b>	600x700x280 [mm]
	<b>700.PBE-600GR/S-600</b>	600x700x900 [mm]
	<b>700.PBE-600GR/T-600</b>	600x700x900 [mm]

<b>Working area</b>	596x560 mm
<b>Power rating</b>	8 kW
<b>Rated voltage, type of current</b>	400V 3N~

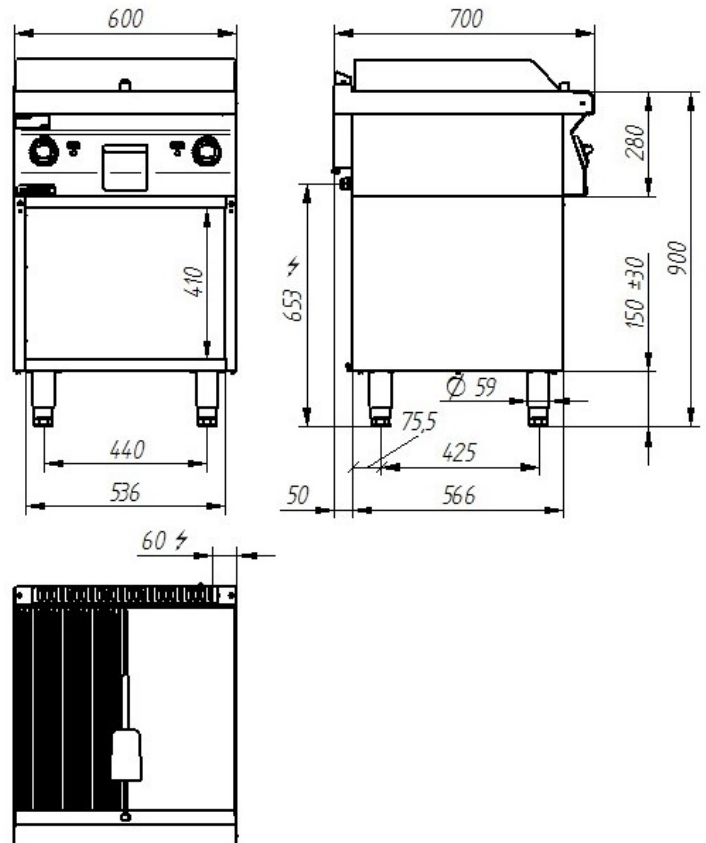
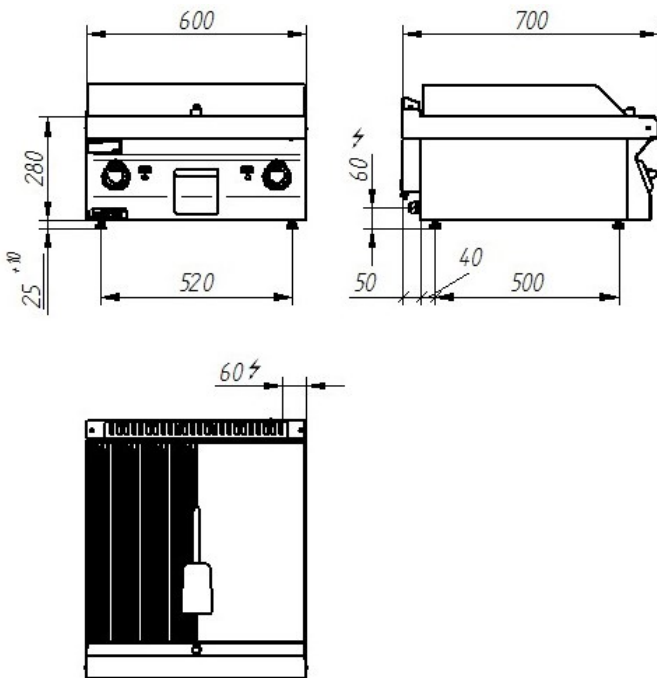


**Description:**

Griddles are made of high-grade stainless steels. Top plate made of AISI 304 stainless steel with thickness  $\neq$  1.5mm. Chrome-plated (half smooth, half grooved) working plate ensures uniform distribution of temperatures over the whole surface.

**700.PBE-600GR**

**700.PBE-600GR/S-600**  
**700.PBE-600GR/T-600**



The picture is for reference only; final product may be slightly different from the presented example.